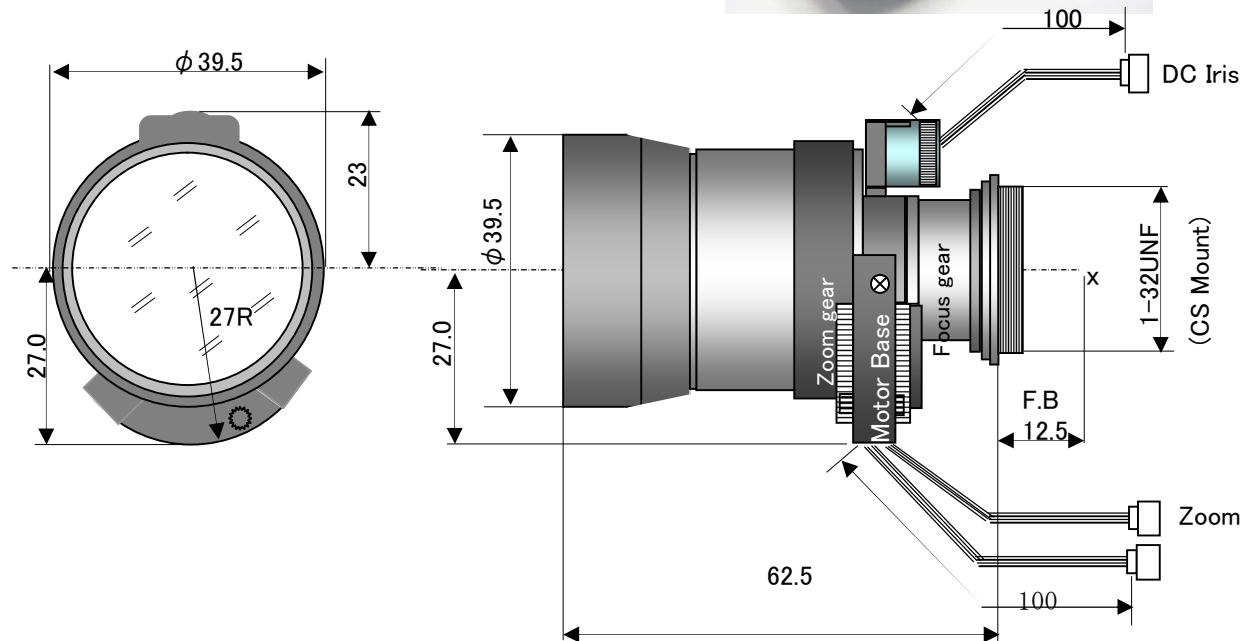


Kawaden CCTV LENS

KV0560DIR-2M

Motorised "Zoom & Focus" Varifocal Lens 5 - 60mm Long Focus Day & Night Use

5-60mm F1.6-360 Varifocal Lens
DC Auto Iris "1/3" CS mount
IR Corrected



Specifications

Model No.	KV0560DIR-2M		Effective Lens Diameter	Front	ϕ 33.7mm
Focal Length	5 -60mm			Rear	ϕ 8.5mm
Max. Aperture Ratio	1:1.6 - 360		Flange Back Length	12.5mm	
Image Format	1/3" & 1/4"		M.O.D.	0.3m - ∞	
Operation	Iris	Auto (F1.6 - 360)	Mount	CS Mount	
	Focus	Stepping Motor	Weight	127g	
	Zoom	Stepping Motor	Dimensions	39.5(W) x 60.0(H) x 62.5(L) mm	
Angle of View (1/3")	D	65.5° (W) - 5.8° (T)	Operating Voltage	Open	Less than 4.0V
	H	52.5° (W) - 4.6° (T)		Close	More than 0.5V
	V	39.4° (W) - 3.4° (T)	Operating Temperature	-10°C - +50°C	

Specifications are subject to change without notice